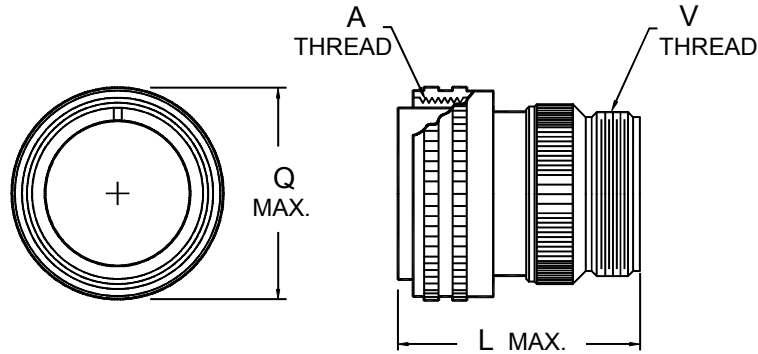


SCP06A,B,C SCPG06A,B,C STRAIGHT PLUG



SHELL SIZE	A COUPLING THREAD CLASS 2B	L MAX.	Q MAX.	V ACCESSORY THREAD CLASS 2A
8S	1/2-28 UNEF	1.469 [37.31]	.844 [21.44]	1/2-28 UNEF
10S	5/8-24 UNEF	1.531 [38.89]	.969 [24.61]	1/2-28 UNEF
10SL	5/8-24 UNEF	1.531 [38.89]	.969 [24.61]	5/8-24 UNEF
12	3/4-20 UNEF	2.062 [52.37]	1.062 [26.97]	5/8-24 UNEF
12S	3/4-20 UNEF	1.688 [42.88]	1.062 [26.97]	5/8-24 UNEF
14	7/8-20 UNEF	2.062 [52.37]	1.156 [29.36]	3/4-20 UNEF
14S	7/8-20 UNEF	1.688 [42.88]	1.156 [29.36]	3/4-20 UNEF
16	1-20 UNEF	2.062 [52.37]	1.250 [31.75]	7/8-20 UNEF
16S	1-20 UNEF	1.688 [42.88]	1.250 [31.75]	7/8-20 UNEF
18	1 1/8-18 UNEF	2.062 [52.37]	1.344 [34.14]	1-20 UNEF
20	1 1/4-18 UNEF	2.188 [55.58]	1.469 [37.31]	1 3/16-18 UNEF
22	1 3/8-18 UNEF	2.188 [55.58]	1.594 [40.49]	1 3/16-18 UNEF
24	1 1/2-18 UNEF	2.312 [58.72]	1.719 [43.66]	1 7/16-18 UNEF
28	1 3/4-18 UNS	2.312 [58.72]	1.969 [50.01]	1 7/16-18 UNEF
32	2-18 UNS	2.438 [61.93]	2.219 [56.36]	1 3/4-18 UNS
36	2 1/4-16 UN	2.438 [61.93]	2.469 [62.71]	2-18 UNS
40	2 1/2-16 UN	2.438 [61.93]	2.719 [69.06]	2 1/4-16 UN
44	2 3/4-16 UN	2.562 [65.07]	3.000 [76.20]	2 1/2-16 UN
48	3-16 UN	2.562 [65.07]	3.250 [82.55]	3-16 UN

DIMENSIONS IN BRACKETS [] ARE IN MILLIMETERS.

SCP3106A